

## High Voltage Water Cooler

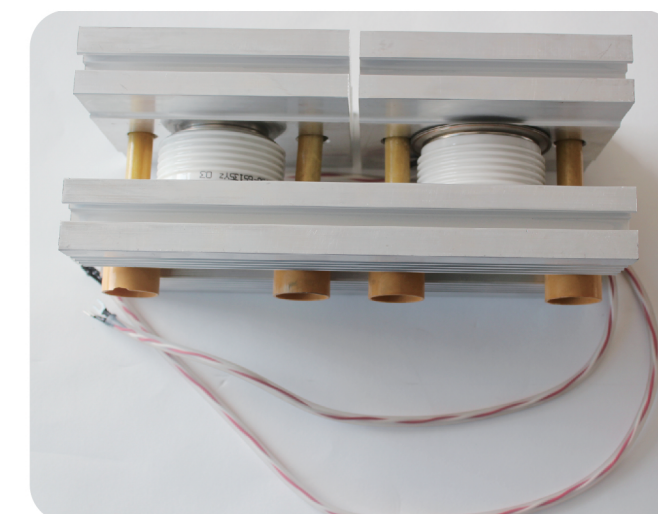
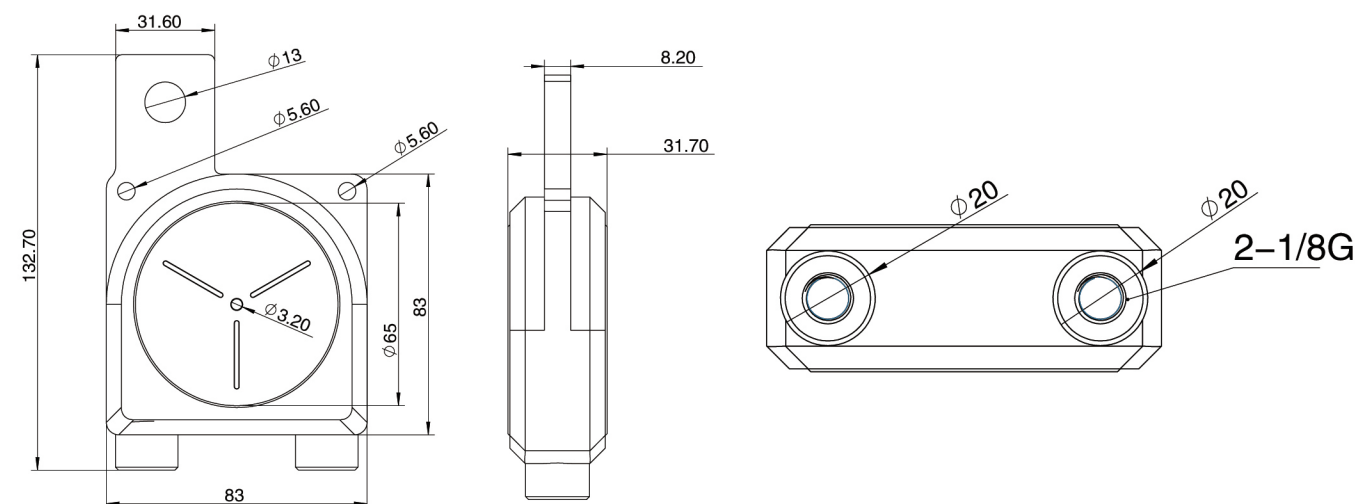
### Feature

Mainly application for Static var compensator

Matched with ABB: 5STP 03D6500  
5STP 03X6500  
5STP 08F6500  
5STP 08G6500

matched with our code KP300 6500  
KP300D6500  
KP800 6500  
KP800D6500

Belowed drawing is our regular size, we can customize as client's needs



# Heatsink 散热器

## ◆ Air-cooler 风冷

Type	L	D	H	L1	D1	H1	D2	H2	H3	d	a	b	c	k	e
	mm			mm			mm								
SF12	200	110	125	60	40	8	80	15	22	13	20	--	20	20	15
SF13	220	120	130	60	40	8	90	15	45	13	20	--	20	20	20
SF14	250	140	145	80	50	10	105	15	45	11	12.5	25	12.5	25	40
SF15	280	140	165	80	60	12	105	15	50	13	17.5	25	15	25	40
SF16	280	180	200	80	60	12	130	15	66	13	17.5	25	15	25	40
SF17	300	200	215	80	60	12	130	15	73	13	17.5	25	40	25	40

Type	f	g	i	j	contact dia	R <sub>sa</sub>	ΔP	weight	F	Fig
	mm				mm	°C/W	pa	kg	KN	
SF12	--	65	8	--	50	0.086	<45	2.6	3.3-20	A
SF13	--	65	10	--	50	0.071	<55	3.5	5.5-25	A
SF14	35	55	8	20	65	0.056	<60	4.9	5.5-30	B
SF15	35	62	8	20	65	0.048	<65	6	10-34	B
SF16	40	78	8	20	80	0.037	<70	9.5	15-40	B
SF17	40	85	8	24	80	0.03	<75	13.5	15-47	B

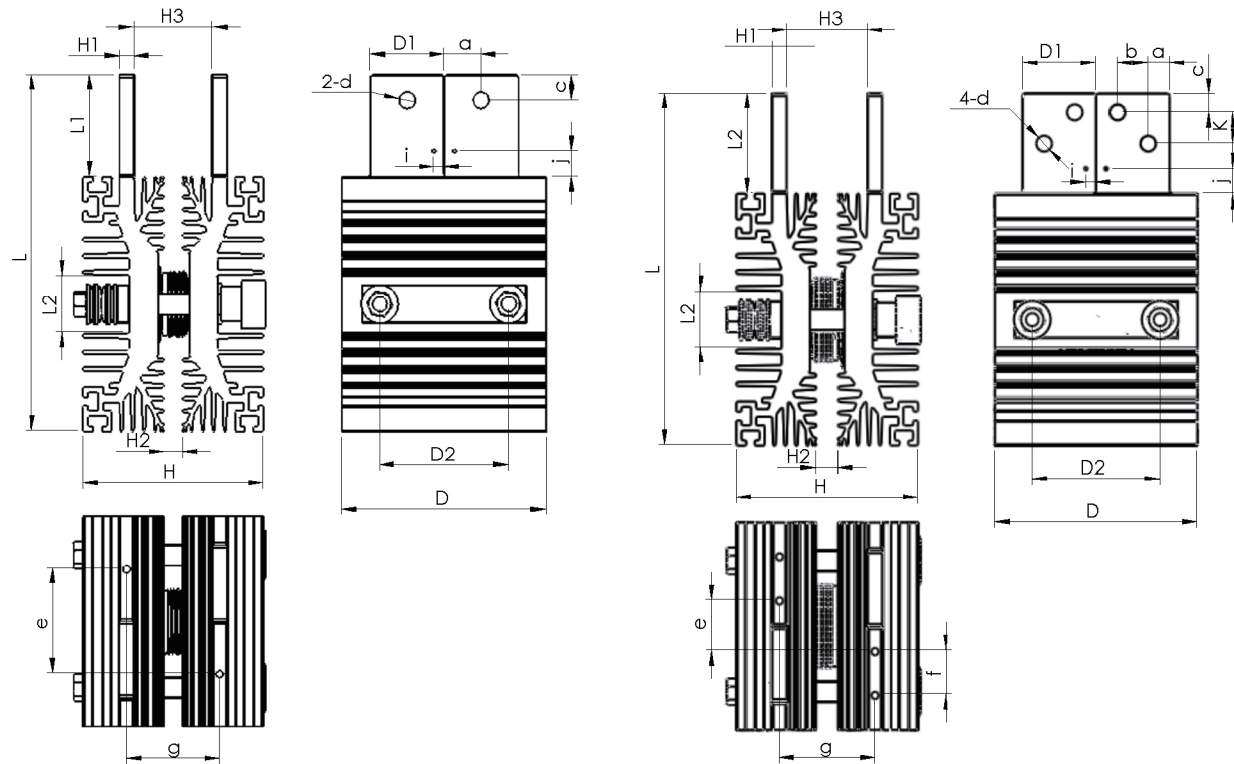


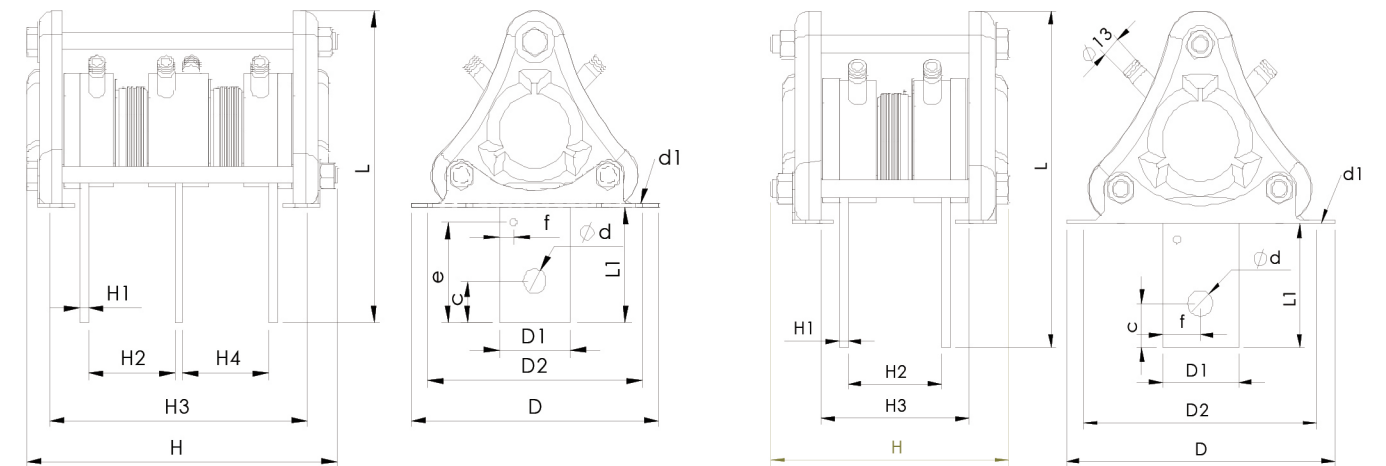
Fig A

Fig B

## ◆ Water-cooler 水冷

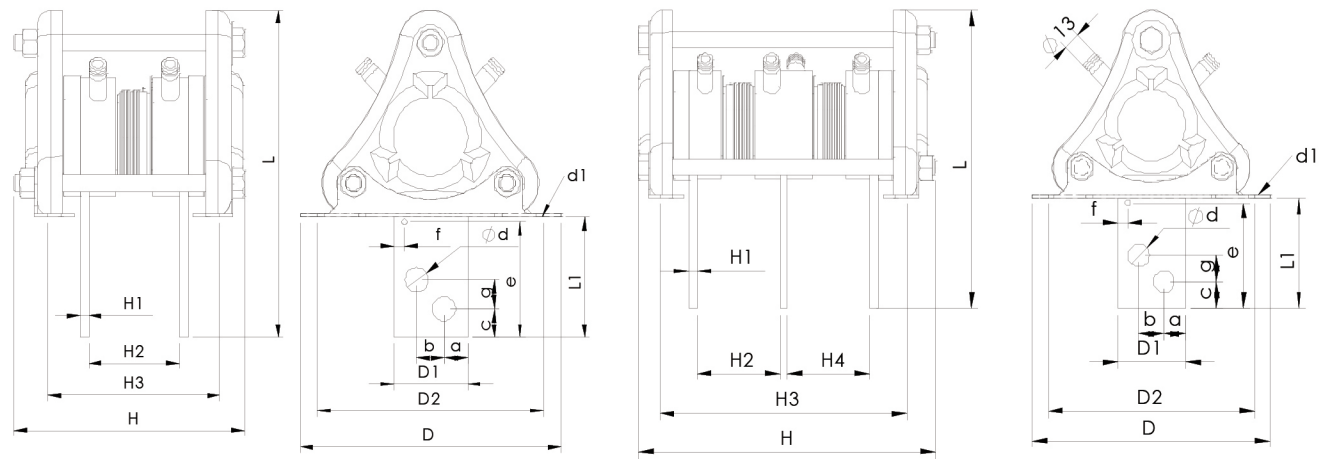
Type	L	D	H	L1	D1	H1	D2	H2	H3	d	a	b	c	e
	mm													
SS11	140	135	145	53	4	30	112	64	105	9	29X14	M3	20	35
SS12	190	160	152	78	5	40	140	64	105	13	9X14	M3	20	65
SS11C	140	135	215	53	4	30	112	64	105	9	9X14	M3	20	35
SS12C	190	160	220	78	5	40	140	64	105	13	9X14	M3	20	65

Type	contact dia	R <sub>sa</sub>	i	F
	mm	°C/W	kg	KN
SS11	45	0.015	3.2	10-20
SS12	55	0.013	4.6	15-25
SS11C	45	0.015	4.2	10-20
SS12C	55	0.013	5.9	15-25



Type	L	D	H	L1	D1	H1	D2	H2	H3	d	a	b	c	e	f
	mm														
SS13	190	160	152	78	6	50	140	64	105	13	11X13	M3	15	65	8
SS14	220	195	188	85	6	55	165	74	130	13	11x14	M3	20	65	10
SS13C	190	160	220	78	6	50	140	64	105	13	11X13	M3	15	65	8
SS14C	220	195	268	85	6	55	165	74	130	13	11x14	M3	20	65	10

Type	a	b	g	contact dia	R <sub>sa</sub>	weight	F
	mm			mm	°C/W	kg	KN
SS13	15	20	20	68	0.015	23.2	18-30
SS14	17.5	20	20	84	0.013	4.6	22-45
SS13C	15	20	20	68	0.015	4.2	18-30
SS14C	17.5	20	20	84	0.013	5.9	22-45



Type	L	D	H	L1	D1	H1	D2	H2	H3	d	a	b	c	e	f
	mm			mm			mm								
SS15	290	260	220	105	8	80	210	84	158	13	11X14	M4	20	90	10
SS16	293	260	230	110	8	80	210	84	158	13	11X14	M4	20	90	10
SS15C	290	260	220	105	8	80	210	84	158	13	11X14	M4	20	90	10
SS16C	293	260	230	110	8	80	210	84	158	13	11X14	M4	20	90	10

Type	a	b	g	contact dia	R <sub>sa</sub>	weight	F
	mm			mm	°C/W	kg	KN
SS15	40	20	40	100	0.01	10	25-55
SS16	40	20	40	108	0.008	13.5	30-65
SS15C	40	20	40	100	0.01	14.5	25-55
SS16C	40	20	40	108	0.008	20	30-65

